

GMG

Global Machinery Group, Inc.

1530-ED Micro Electric Drive

MICRO SLAB SCISSOR LIFT

- ✓ **Maximum Performance**
- ✓ **Superior Components**
- ✓ **Environmentally Better**

STANDARD FEATURES:

- Direct Electric Drive - providing whisper quiet operation and extended duty cycles
- Extremely light weight 1,895 lbs (860 kg) with low ground pressure. Perfect for elevator and mezzanine applications
- Easily fits through standard doorways
- Drives at full height
- Fully proportional drive and lift
- Amazing 30% gradeability
- Active pothole protection system
- Automatic 'Smart' battery charger for quick charging
- Multiple disc brakes for smooth stopping
- Extra long slide-out deck with 4 oversized rollers for silky smooth operation
- Folding guardrails
- AC power cable to platform
- Pull out module for easy servicing
- Nitrate coated pins provide long lasting maintenance free service
- 2 year warranty

**EXTREME GRADE
FOR HEAVY CONSTRUCTION USE**

www.goGMG.com



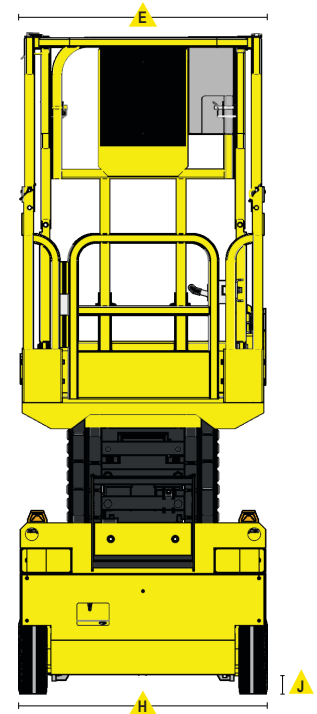
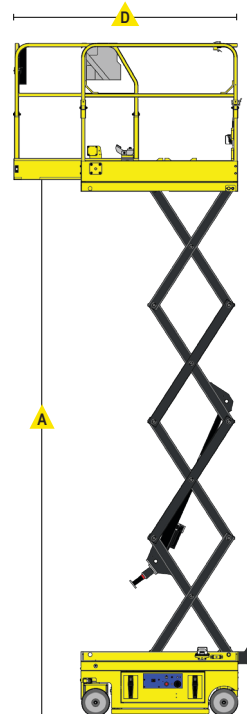
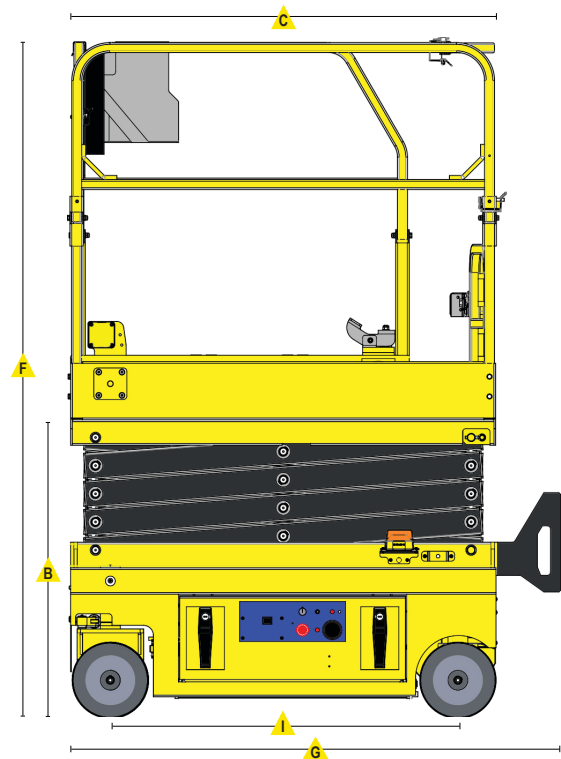
SPECIFICATIONS

MODEL	1530-ED Micro	
Measurements	US	Metric
Working height maximum	20.7'	6.5 m
A Platform height maximum	14.7'	4.5 m
B Platform height - stowed	36.6"	.93 m
C Platform length - retracted	50.4"	1.28 m
D - extended	70.9"	1.8 m
Slide-out platform extension deck	20.5"	.52 m
E Platform width - outside	29.9"	.76 m
Toeboard height	6.7"	0.17 m
F Height - stowed	79.9"	2.03 m
rails lowered	62.6"	1.59 m
G Length stowed	58.5"	1.48 m
w/o ladder	50.5"	1.28 m
H Width	29.9"	.76 m
I Wheelbase	41.3"	1.05 m
J Ground clearance - center	2.6"	6.6 cm
- pothole bars deployed	.8"	2 cm

Productivity	
Maximum platform occupancy	2
Lifting capacity	530 lbs 240 kg
Extension deck capacity	220 lbs 100 kg
Drive height	Full Height
Drive speed - stowed	2 mph 3.2 km/h
Drive speed - raised	0.5 mph 0.8 km/h
Gradeability - stowed	30%
Turning radius - inside	13.7" .35 m
Raise speed	23 seconds
Lower speed	19 seconds
Controls	Fully Proportional
Drive	Direct Electric
Tires - Solid, Non-marking	9" x 3" 22.8x 7.6 cm

Power	
Power source	24v, 95Ah

Weight	
ANSI	1,895 lbs 860 kg
CE	1,895 lbs 860 kg



GMG Corporate Office

3428 Bullock Lane
 San Luis Obispo, CA 93401
 Phone: +1.805.303.2066
 Toll Free (USA/Canada): +1.800.301.0499

Distributed By:



www.goGMG.com