

GMG

Global Machinery Group, Inc.

2632-ED Electric Drive

COMPACT SLAB SCISSOR LIFT

- ✓ **Maximum Performance**
- ✓ **Superior Components**
- ✓ **Environmentally Better**

STANDARD FEATURES:

- Direct Electric Drive - providing whisper quiet operation and extended duty cycles
- Easily fits through standard doorways
- Drives at full height
- Fully proportional drive and lift
- Amazing 45% gradeability
- Fully adjustable drive, steer, lift / lower speeds
- Automatic 'Smart' battery charger for quick charging
- Multiple disc brakes for smooth stopping
- Extra long slide-out deck with 4 oversized rollers for silky smooth operation
- Folding guardrails
- AC power cable to platform
- Swing out module for easy servicing
- Nitrate coated pins provide long lasting maintenance free service
- 2 year warranty

**EXTREME GRADE
FOR HEAVY CONSTRUCTION USE**

www.goGMG.com



SPECIFICATIONS

| MODEL | 2632-ED | |
|--------------------------------------|---------|--------|
| Measurements | US | Metric |
| Working height maximum | 31.6' | 9.63 m |
| A Platform height maximum | 25.6' | 8 m |
| B Platform height - stowed | 46" | 1.17 m |
| C Platform length - retracted | 88.5" | 2.25 m |
| D - extended | 127.5" | 3.24 m |
| Slide-out platform extension deck | 39" | 1 m |
| E Platform width - outside | 31.5" | .80 m |
| Toeboard height | 6.7" | 0.17 m |
| F Height - stowed | 90.5" | 2.29 m |
| rails lowered | 71" | 1.8 m |
| G Length stowed | 96.5" | 2.45 m |
| w/o ladder | 89" | 2.26 m |
| H Width | 31.6" | .8 m |
| I Wheelbase | 73" | 1.85 m |
| J Ground clearance - center | 4" | 10 cm |
| - pothole bars deployed | .7" | 2 cm |

Productivity

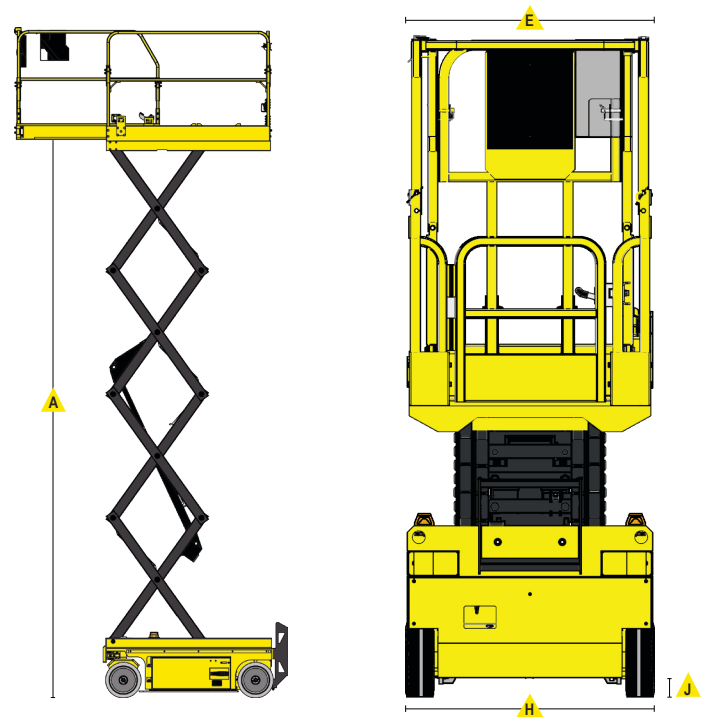
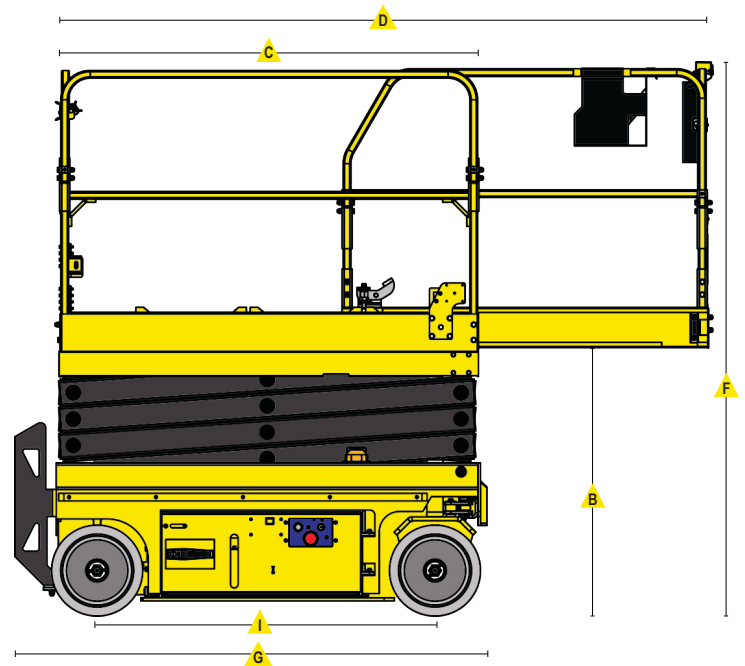
| | | |
|----------------------------|--------------------|----------------|
| Maximum platform occupancy | 2 | |
| Lifting capacity | 500 lbs | 227 kg |
| Extension deck capacity | 250 lbs | 113 kg |
| Drive height | Full Height | |
| Drive speed - stowed | 2.5 mph | 4.02 km/h |
| Drive speed - raised | 0.5 mph | 0.8 km/h |
| Gradeability - stowed | 45% | |
| Turning radius - inside | 0 | |
| Raise speed | 28 seconds | |
| Lower speed | 29 seconds | |
| Controls | Fully Proportional | |
| Drive | Direct Electric | |
| Tires - Solid, Non-marking | 16" x 5" | 40.6 x 12.7 cm |

Power

| | |
|--------------|------------|
| Power source | 24v, 225Ah |
|--------------|------------|

Weight

| | | |
|------|-----------|----------|
| ANSI | 4,851 lbs | 2,205 kg |
| CE | 4,851 lbs | 2,205 kg |



GMG Corporate Office

3428 Bullock Lane
 San Luis Obispo, CA 93401
 Phone: +1.805.303.2066
 Toll Free (USA/Canada): +1.800.301.0499

Distributed By:



www.goGMG.com