

GMG

Global Machinery Group, Inc.

46 Series-ED Electric Drive

COMPACT SLAB SCISSOR LIFT



- ✓ **Maximum Performance**
- ✓ **Superior Components**
- ✓ **Environmentally Better**

STANDARD FEATURES:

- Direct Electric Drive - providing whisper quiet operation and extended duty cycles
- Drives at full height
- Fully proportional drive and lift
- Amazing gradeability
- Fully adjustable drive, steer, lift / lower speeds
- Automatic 'Smart' battery charger for quick charging
- Multiple disc brakes for smooth stopping
- Extra long slide-out deck with 4 oversized rollers for silky smooth operation
- Folding guardrails
- Easily fits through standard double doorways
- AC power cable to platform
- Swing out module for easy servicing
- Nitrate coated pins provide long lasting maintenance free service
- 2 year warranty



EXTREME GRADE
FOR HEAVY CONSTRUCTION USE

www.goGMG.com

SPECIFICATIONS

MODELS	2646		3346		4046		4646	
	US	Metric	US	Metric	US	Metric	US	Metric
Working height maximum	32'	10 m	39'	12 m	46'	14.04 m	52'8"	15.9 m
A Platform height maximum	26'	8.0 m	32' 8"	10 m	39' 6"	12.04 m	45' 8"	13.9 m
B Platform height - stowed	46.5"	1.04 m	51.5"	1.31 m	56.3"	1.43 m	63"	1.6 m
C Platform length - retracted - extended	90.9" 130.7"	2.31 m 3.32m	90.9" 130.7"	2.31 m 3.32m	90.9" 130.7"	2.31 m 3.32m	90.9" 130.7"	2.31 m 3.32m
Slide-out platform extension deck	39"	1 m	39"	1 m	39"	1 m	39"	1 m
D Platform width - outside	45.2"	1.15 m	45.2"	1.15 m	45.2"	1.15 m	45.2"	1.15 m
Toeboard height	6"	0.15 m	6"	0.15 m	6"	0.15 m	6"	0.15 m
E Height - stowed rails lowered	88.5" 66.5"	2.25 m 1.69 m	96" 69.4"	2.44 m 1.76 m	100.5" 77"	2.52 m 1.96 m	106" 78.7"	2.69 m 2 m
F Length stowed w/o ladder	97" 91.5"	2.46 m 2.32 m	97" 91.5"	2.46 m 2.32 m	97" 91.5"	2.46 m 2.32 m	97" 91.5"	2.46 m 2.32 m
G Width	46"	1.17 m	46"	1.17 m	46"	1.17 m	46"	1.17 m
H Wheelbase	72.8"	1.85 m	72.8"	1.85 m	72.8"	1.85 m	72.8"	1.85 m
I Ground clearance - center - pothole bars deployed	4" .75"	10 cm 1.9 cm	4" .75"	10 cm 1.9 cm	4" .75"	10 cm 1.9 cm	4" .75"	10 cm 1.9 cm

Productivity

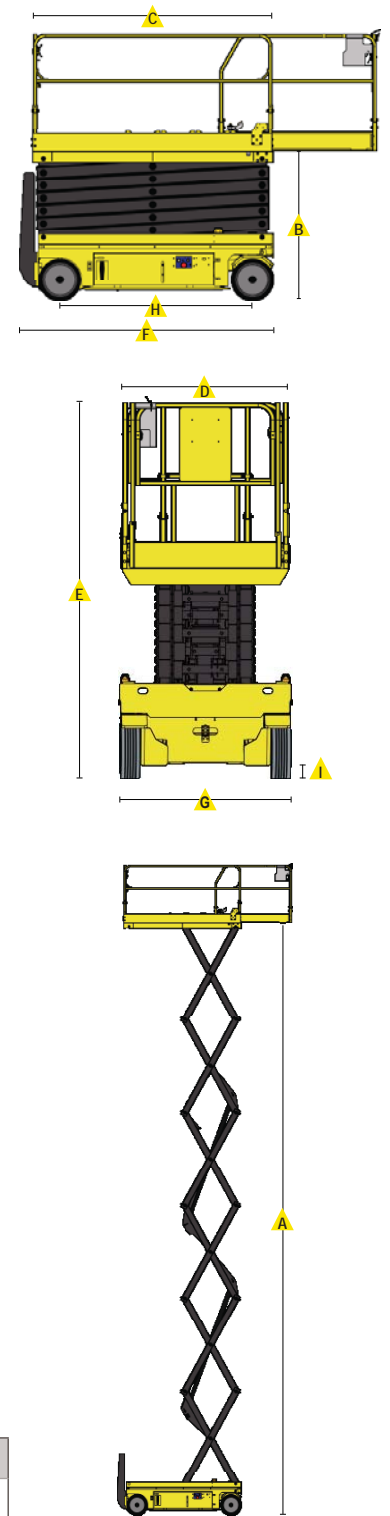
Maximum platform occupancy	3		2		2		2	
Lifting capacity	992 lbs	450 kg	771 lbs	350 kg	771 lbs	350 kg	507 lbs	230 kg
Extension deck capacity	264 lbs	120 kg	264 lbs	120 kg	264 lbs	120 kg	220 lbs	100 kg
Drive height	Full Height						33'	10 m
Drive speed - stowed	2.5 mph / 4.02 km/h							
Drive speed - raised	0.45 mph / 0.7 km/h							
Gradeability - stowed	35%		30%		25%		25%	
Turning radius - inside	0" / 0 m							
Turning radius - outside	79" / 2 m							
Raise speed	39 seconds		50 seconds		65 seconds		97 seconds	
Lower speed	31 seconds		38 seconds		50 seconds		56 seconds	
Controls	Fully Proportional							
Drive	Direct Electric							
Tires - Solid, Non-marking	16" x 5" / 40.6 x 12.7 cm							

Power

Power source	24v, 225Ah							
--------------	------------	--	--	--	--	--	--	--

Weight

ANSI	5,632 lb	2560 kg	6,842 lb	3110 kg	7,495 lb	3400 kg	8,195 lb	3717 kg
CE	5,632 lb	2560 kg	6,842 lb	3110 kg	7,495 lb	3400 kg	8,195 lb	3717 kg



GMG USA

3428 Bullock Lane
San Luis Obispo, CA 93401

Phone: +1.805.303.2066
Toll Free (USA/Canada): +1.800.301.0499

Distributed By:



www.goGMG.com