

GMG

Global Machinery Group, Inc.

2669-RT 3369-RT 4069-RT

MID-SIZE ROUGH TERRAIN SCISSOR LIFT



- ✓ **Maximum Performance**
- ✓ **Superior Components**

STANDARD FEATURES:

- 4wd
- Auto Leveling Outriggers
- Drives At Full Height
- Fully Proportional Drive and Lift
- Foam Filled Rough Terrain Tires
- Folding Guardrails
- Full Height Swing Gate
- Extra Long Slide-out Deck With 4 Oversized Rollers for Silky Smooth Operation
- Four Wheel Braking
- Tilt Level Sensor With Audible Alarm
- Nitrate Coated Pins Provide Long Lasting Maintenance Free Service
- AC Power to Platform
- Horn
- Hour Meter
- 2 Year Warranty



**EXTREME GRADE
FOR HEAVY CONSTRUCTION USE**

www.goGMG.com

Effective Date: January, 2018. Product specifications and prices are subject to change without notice or obligation. The photographs and/or drawings in this document are for illustrative purposes only. Refer to the appropriate Operator's Manual for instructions on the proper use of this equipment. Failure to follow the appropriate Operator's Manual when using GMG equipment or to otherwise act irresponsibly may result in serious injury or death. The only warranty applicable to our equipment is the standard written warranty applicable to the particular product and sale and we make no other warranty, express or implied.

SPECIFICATIONS

MODELS	2669		3369		4069	
	US	Metric	US	Metric	US	Metric
Working height maximum	32'	10 m	39'	12 m	46'	14.2 m
A Platform height maximum	26'	8.0 m	32' 9"	10 m	40'	12.2 m
B Platform height - stowed platform floor	43"	1.1 m	48"	1.23 m	53"	1.36 m
C Platform length - retracted	9' 2"	2.79 m	9' 2"	2.79 m	9' 2"	2.79 m
- extended	14' 2"	4.32 m	14' 2"	4.32 m	14' 2"	4.32 m
Slide-out platform extension deck	59"	1.5 m	59"	1.5 m	59"	1.5 m
D Platform width - outside	63"	1.6 m	63"	1.6 m	63"	1.6 m
Toeboard height	6"	0.15 m	6"	0.15 m	6"	0.15 m
E Height - stowed	94"	2.38 m	102"	2.6 m	108"	2.75 m
rails lowered	66"	1.68 m	76"	1.93 m	78.5"	1.99 m
F Length stowed	10' 2"	3.12 m	10' 2"	3.12 m	10' 2"	3.12 m
with outriggers	12' 2"	3.7 m	12' 2"	3.7 m	12' 2"	3.7 m
platform extended	14' 7"	4.5 m	14' 7"	4.5 m	14' 7"	4.5 m
G Width	69"	1.75 m	69"	1.75 m	69"	1.75 m
H Wheelbase	90"	2.29 m	90"	2.29 m	90"	2.29 m
A Ground clearance - center	10"	25 cm	10"	25 cm	10"	25 cm

Productivity

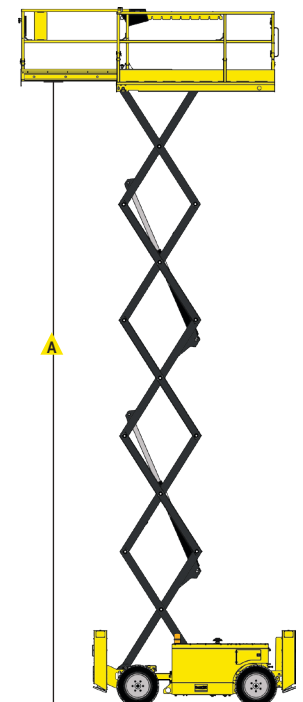
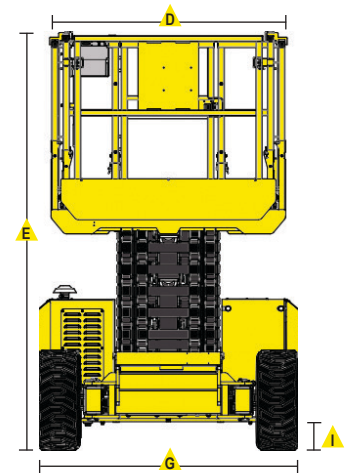
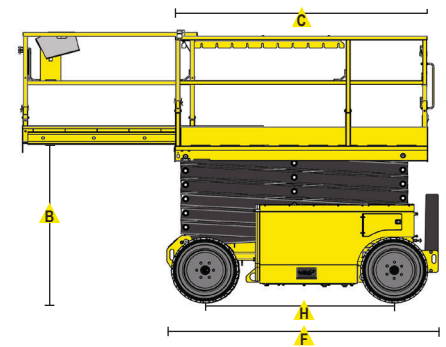
Maximum platform occupancy	4		4		3	
Lifting capacity	1,500 lbs	680 kg	1,000 lbs	454 kg	800 lbs	363 kg
Extension deck capacity	300 lbs	136 kg	300 lbs	136 kg	300 lbs	136 kg
Drive height	full height					
Drive speed - stowed	3.8 mph / 6.1 km/h					
Drive speed - raised	0.5 mph / 0.8 km/h					
Gradeability - stowed	45%		40%		40%	
Maximum outrigger leveling	6.6°					
front / back	10.6°					
side / side						
Turning radius - inside	60" / 1.52 m					
Turning radius - outside	144" / 3.68 m					
Raise speed	30 seconds		40 seconds		50 seconds	
Lower speed	40 seconds		43 seconds		47 seconds	
Controls	fully proportional					
Drive	four wheel					

Power

Power source	Kubota D1105					
Fuel tank capacity	15 gal / 57 L					
Hydraulic system capacity	18 gal / 68 L					

Weight

Standard	7,315 lbs	3318 kg	7,955 lbs	3608 kg	10,255 lbs	4651 kg
With outriggers	8,190 lbs	3715 kg	8,830 lbs	4005 kg	11,130 lbs	5048 kg



GMG Corporate Office

3428 Bullock Lane
 San Luis Obispo, CA 93401
 Phone: +1.805.303.2066
 Toll Free (USA/Canada): +1.800.301.0499

Distributed By:

GMG

Global Machinery Group, Inc.

www.goGMG.com