



MLA-T
Telescopic articulated loader



Handling your world

Founded over 60 years ago by the Braud family, the Manitou Group now operates worldwide. A world-leader in all-terrain material handling, the Group designs, manufactures, distributes and services equipment for construction, agriculture and industries.

The Group's product ranges include: all-terrain fixed, rotating and heavy-load telehandlers; all-terrain, semi-industrial and industrial masted forklift trucks; wheel or track skid-steer loaders; articulate loaders; access platforms; truck-mounted forklifts; warehousing equipment; and attachments.

Through its iconic brands - Manitou, Gehl and Mustang - and its worldwide network of 1,400 dealers, the Group offers the best solutions to create optimum value for its customers.

Headquartered in France, the Group registered a revenue in 2016 of 1.332 billion euros in 140 countries and employs 3,300 people, all strongly focused on satisfying customers.



1958

Marcel Braud conceives the idea of the Manitou truck.

1972

The Group enters foreign markets.

Sales partnership agreement signed with Toyota for exclusive distribution of Toyota industrial forklift trucks in France.

1981

Launch of first Manitou telehandler.

1984

Manitou enters the stock exchange.

1993

The first MRT rotating telehandlers are sold.

1995

Launch of the first range of access platforms.

1996

ISO 9001 certification obtained.

1998

Marcel Braud becomes Chairman of the Supervisory Board.

2006

Manitou passes the 1 billion euros sales milestone.

3 brands
distributed by
1,400 dealers
in 140 countries



- 21 subsidiaries
- 10 production facilities
- 3,300 employees worldwide
- 65% of the share capital held by the founding families
- 80% of revenue comes from foreign markets
- 1.332 billion euros of turnover in 2016

2007

Manitou opens an international logistics centre spanning 22,000 m².

2008

Takeover of the American company Gehl.

2009

Change of management - return to a Board of Directors.

2010

Launch of Gehl and Mustang articulated loaders.

2012

Crossover agreement signed with Yanmar for the manufacture and distribution of mini-excavators.

2013

Consolidation of Yanmar partnership as Yanmar becomes a Group shareholder with 6.26% of the capital.

2014

January: Michel Denis is appointed President and CEO.
April: A new roadmap is drawn up focusing on the three divisions, including one for services.

2015

Manitou celebrates the sale of its 500,000th machine worldwide.



2016

Launch of the new MLT range, NewAg.



PERFORMANCE

«Manœuvrable on all terrains...»



44 degree (left- and right-hand) articulation

The excellent turning radius optimises cycle times and enables the machine to work in the most confined spaces. No need for complicated manœuvres, a turn of the wheel is all that is needed to pick up your load!

High ground clearance
(39 cm)

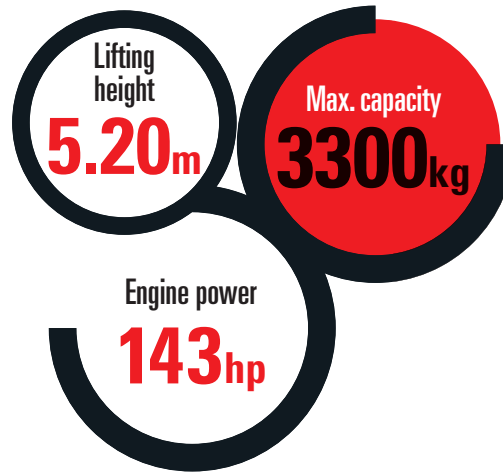
Oscillating rear axle (+/- 9.5°)

Even on rough terrain, oscillation maintains contact between the tyres and the ground.

Limited slip differential on both axes

Optimum tractive force, even on muddy terrain.

Mudguard



Boom suspension
« Active CRC* » (optional)

* Comfort Ride Control



4 wheel drive

Agricultural profile tyres

State-of-the-art "M-Vario Plus" transmission

Yes it is possible to get up to 40 km/hr smoothly and without changing gear!

This M-Vario Plus continuous variable transmission (CVT) comprises two hydraulic motors with axial pistons powered by a hydraulic pump. At low speeds, the two motors are in operation. The tractive force is therefore comparable to that of a torque converter transmission. At high speeds, only one engine is in operation. Fuel consumption is optimized and the sound pollution caused by the transmission is reduced.

The M-Vario Plus combines precision and performance and is a pleasure to use, even for the most inexperienced users.

Advantages :

- 2 driving modes: handling and roading
- Inching function
- Cruise control and engine speed memorisation
- Speed limiter
- Eco mode
- Vari Drive function

PERFORMANCE

«You're going to have time»

Hydraulic flow rate
158 l/min

Combined movements

The Load Sensing pump enables movements to be combined for greater working efficiency.

Intelligent Hydraulics option

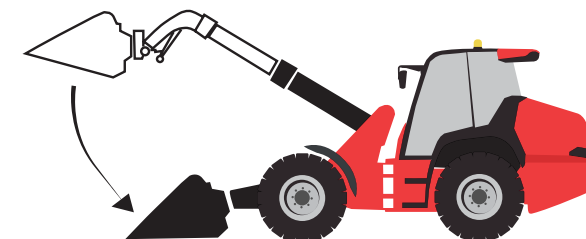


3 "automated" functions:

1 - **Quick Lift** : for automatically combining two movements (raising/lowering + extension/retraction) and facilitating storage operations.



2 - **«Bucket Shaker»** : quickly empties the bucket without requiring the operator to make repetitive movements. Manure will not stay stuck to the bottom of the bucket.



3 - **Automatic «Return to Load»** : to easily return to a position (attachment and boom) pre-determined by the operator. This function is particularly useful for loading operations.



Regenerative Hydraulics Option

This system makes it possible to lower the boom, regardless of engine rpm, using gravitational force. Save time on each operation and **save on fuel!**



Clean engine and low consumption

The MLA-T is equipped with Deutz 4-cylinder engine with a cubic capacity of 4.1 l. With a power rating of 143 hp, this engine is perfectly suited to your activities.

Also, because fuel consumption is a significant cost item for your machines, we ensure full transparency...

Calculate your consumption on:
reduce.manitou.com

COMFORT

A pleasant working environment

- Adjustable door opening (3 positions)
- Storage box
- Storage under the armrest
- Mesh document holder
- Adjustable steering column
- Sun visor
- Cloth-covered seat
- Telephone holder
- USB port
- 12V plug
- Car radio tested in a farming environment
- Manual hand throttle
- Digital display dashboard





360° visibility

The central cab location, the large area of glazing and the unobstructed view of the boom give the operator 360° visibility.

This ensures your own safety as well as that of those around you.



Optimal lighting

A machine equipped for working in the dark:

- Full road lights
- 1 rotating beacon
- 4 working lights on the cab (halogen or LED, depending on the level of finish)
- 1 roof light inside the cab
- 2 boom-mounted LED working lights (optional)
- 3 additional LED working lights (optional)



JSM[®] on floating armrest

JSM[®] (Joystick Switch and Move) controls all hydraulic movements. You can keep one hand on the steering wheel at all times for safe working.

- ❶ FNR (Front Neutral Reverse) button
- ❷ Hydraulic attachment line
- ❸ Telescope: retraction and extension

❹ Forward: the boom is lowered
 Backward: the boom is raised
 Left: crowd
 Right: dump



Easy access cab

- Access to cab from both sides
- Three hand grips for accessing the cab
- Non-slip steps

COST-EFFICIENT

Designed to last

- 2D articulation
- Well protected crowd cylinder
- Choice of renowned brands (Dana Spicer® axles, Deutz® engine, Grammer® seats, etc.)
- Multiple-disk oil-bath brakes within axles
- Articulation locking bar (for lorry transport)
- Cab complies with ROPS / FOPS (level 2) standard requirements





Simple and efficient maintenance

- Wide engine cover opening
- Protected, easy-to-reach fuel, hydraulic oil and AdBlue® tank fillers located in the engine compartment
- Central position of greasing points
- Diagnostic information on cab display

Easy MANAGER :

The solution for optimising your TCO

Easy MANAGER is optionally available on all our machines to improve your productivity.



Control maintenance costs and preserve the life of your equipment

Continuous monitoring of machine running time ensures that maintenance is carried out at exactly the right time.



Save time and fuel

Using localisation, Easy MANAGER indicates the best itinerary (in time and distance) for accessing your equipment.



Optimise the use of your equipment

You are informed in real time of the activity and availability of your equipment.



Plan for and limit equipment downtime

By agreeing to share data with your dealer, servicing operations can be planned in advance and carried out when convenient for you.



View the operating information

for your equipment, including advanced data (tank level, fuel consumption) and remote diagnostic data (subject to eligibility).



Protect your asset

Easy MANAGER Mobile immediately informs you of any unexpected movement or activity.



For easy access to key machine information, the Manitou group has just launched the Easy MANAGER Mobile application, giving simple, direct access from your smartphone.

Do you know the real **cost of ownership** of your equipment?

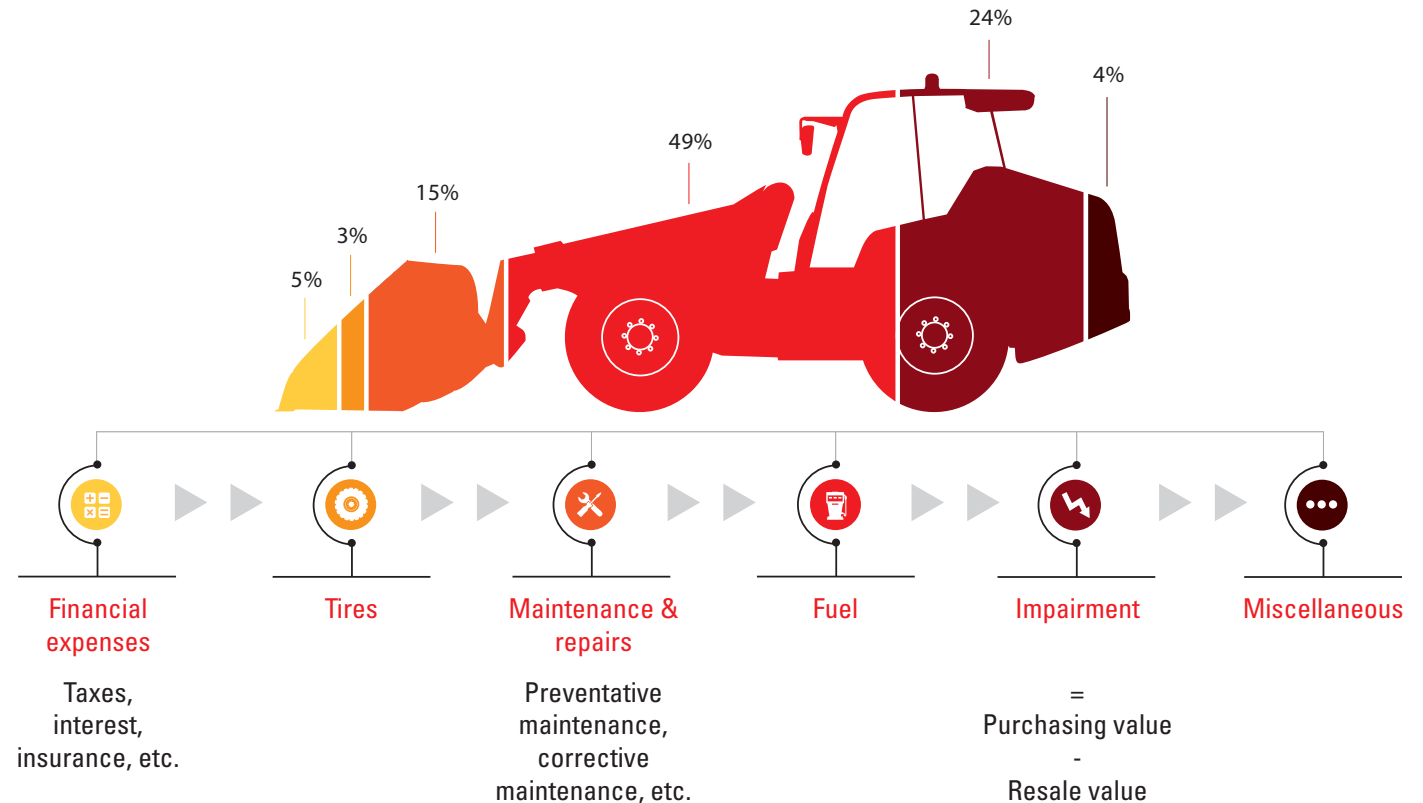
REDUCE TCO (Total Cost of Ownership) gives you detailed information about the breakdown of cost items for your machine and helps you to optimize the profitability of your production tool.



What does **Le TCO** stand for?

The **TCO (Total Cost of Ownership)** is the total cost of ownership of an asset, more commonly known as the running cost.

This indicator considers both fixed costs such as acquisition, interest, rental, residual value, etc., and variable costs linked to the use of your machine, such as maintenance, user training, etc.



Calculate your TCO on tco.manitou.com



VERSATILITY

Attachments changed in seconds

With the Manitou attachment carriage system, which has equipped our telehandler models for 35 years, you can change attachments in just a few seconds.

The ECS (Easy Connect System) decompresses the hydraulic attachment line without turning off the engine, making it quick and easy to change your hydraulic attachments.

The optional hydraulic carriage locking system allows attachments to be changed and secured without leaving the machine.

Choose the right tyre for your activity



Alliance - A580 (standard)
Ground type: offroad



Michelin - Bibload
Ground type: hard ground

A large number of tyres are undergoing testing and will become available in the coming months.

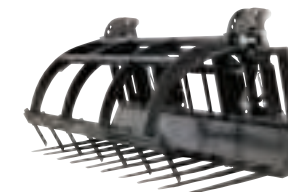
Wide range of **Manitou-approved** attachments



CBA - Agricultural Bucket



CBG MS - Machine-Welded Grab Bucket



FFGR - Manure fork with grab Bucket



SHG - Shear Grab



SHB - Shear Grab Bucket



SCC - 2 in 1 Sweeper Cleaner



HBB - Big Bag Handler



PBE - Wrapped Bale Clamp



P2BG 2x4 - Bale Clamp

Find out about our range of attachments at manitou.com

TO EACH HIS OWN STYLE

Three finish levels

CLASSIC **PREMIUM** **ELITE**

s : series / o : option / - : not available

General

	CLASSIC	PREMIUM	ELITE
Manual hand throttle	s	s	s
"Active CRC"* boom suspension	o	o	s
"Pick-up hitch" hydraulic hook (low position)	o	o	o

Comfort

Grammer mechanical cloth seat	s	-	-
Grammer air suspension cloth seat	o	s	-
Grammer low-frequency air suspension cloth seat	o	o	s
Car radio	s	-	-
Bluetooth USB car radio with built-in microphone	o	s	-
Bluetooth USB car radio with extra microphone	o	o	s
Air conditioning with automatic adjustment	o	s	s

Electricity / Safety

Roof windscreen wiper	o	o	o
Electric de-frosting rear-view mirrors	o	o	s
Working lights on cab (x4)	s	-	-
LED working lights on cab (x4)	o	s	s
LED + (3 additional working lights)	o	o	o
LED working lights on boom head (fixed part) (x2)	o	o	o
Rotating beacon light	s	s	s
LED rotating beacon light	o	o	o
Battery cut-off	s	s	s

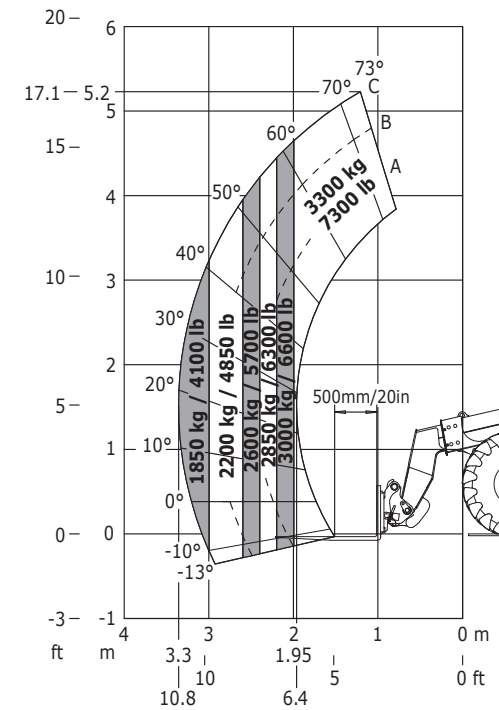
Hydraulics

Hydraulic attachment line	s	s	s
Easy Connect System (ECS)	s	s	s
Continuous flow hydraulics	o	o	s
Hydraulic locking for attachment	o	o	o
Electrovalve for 2 hydraulic functions (boom head mounted)	o	o	o
Double acting rear hydraulic supply	o	o	o
2 x double acting rear hydraulic supply	o	o	o
Intelligent Hydraulics	o	o	s
Regenerative Hydraulics	o	s	s

MLA-T 533-145 V+

CLASSIC PREMIUM ELITE

Technical features



Load chart according to standard EN 474-3

MLA-T 533-145 V+

Transmission	-	M-Vario Plus
Engine power	hp (kW)	143 (105)
Engine brand	-	DEUTZ
Max. capacity	kg (lb)	3 300 (7300)
Tipping load (straight)	kg (lb)	4978 (10975)
Tipping load (articulated)	kg (lb)	4147 (9143)
Max. lifting height	m	5.20
Dimensions without attachments (WxLxH)	m	2.29x5.64x2.70
Turning radius outer wheels	m	4.28
Pump	-	Load Sensing
Hydraulics	l/min - bar	158
Unladen weight with forks	kg (lb)	8430 (18585)
Speed	km/h (mph)	40



Everyday expertise and service

Your Manitou dealer can guarantee a complete range of services at all stages of your machine's life and is there to provide support and meet your needs, always looking to provide you with the best solution.



1,400 dealers at your service

The Manitou network is present in more than 140 countries. In total, there are more than 2,000 expert technicians who are specially trained in Manitou technology and who are at your service to assist with purchasing or after-sales.



- Dealership network**
A network of experts at your service, whatever your field (agriculture, construction, industry).
- Maintenance contracts**
Three levels of contract that are tailored to your needs: Initial, Advanced and Excellence. Entrust the maintenance of your equipment to your dealer.
- Manitou Finance**
Tailor-made solutions: Whatever your business, simplify your investment with Manitou Finance financing or leasing solutions.
- Warranty extension**
With Maniplus, you can extend the cover of your Manitou for up to 5 years. Use your equipment with peace of mind.
- Easy Manager, the connected solution**
Manage, optimise and protect your machine: with Easy Manager, you have the right information at the right time, to help you make the right decision!
- Second-hand**
In the market for second-hand equipment? The Manitou network is here to help. Just visit your dealer or used.manitou.com, our reference site for second-hand Manitou machines.
- Original spare parts**
With more than 70,000 products available, your Manitou agent provides expertise and service on a daily basis!

Your dealer:



Head office

B.P. 249 - 430 rue de l'Aubinière - 44158 Ancenis Cedex - France

Tel.: 00 33 (0)2 40 09 10 11 - Fax: 00 33 (0)2 40 09 10 97



This publication provides the description of the versions and configuration possibilities of Manitou products, which may differ in terms of equipment. The equipment presented in this brochure may be available as part of a series, available as an option, or not available, depending on the versions. Manitou reserves the right, at any time and without notice, to amend the specifications described and represented. The specifications provided do not bind the manufacturer. For more details, please contact your Manitou agent. This is not a contractually binding document. The presentation of the products is not contractually binding. The list of specifications is non-exhaustive. The logos and visual identity of the company are the property of Manitou and cannot be used without authorisation. All rights are reserved. The photos and diagrams in this brochure are only provided for consultation and information purposes. Manitou BF SA - Limited company with board of directors. Share capital: 39,547,824 euros - 857 802 508 RCS Nantes



Printed by Kalydée
using vegetable-based inks
on paper made of 60% recycled
and 40% virgin fibres.