

Technical sheet

MLT 730-115 V CP

Telehandlers



Capacities	Metric	Imperial
Max. capacity	3000 kg	6614 lbs
Max. lifting height	6.85 m	22 ft 5 in
Max. outreach	4.30 m	14 ft 1 in
Reach at max. height	1.50 m	4 ft 11 in
Weight and dimensions		
Unladen weight (with forks)	6910 kg	15234 lbs
m4 - Ground clearance	0.28 m	11 in
l2 - Overall length to carriage (with hitch)	5.08 m	16 ft 7 in
y - Wheelbase	2.69 m	8 ft 9 in
b4 - Overall width of cab	0.95 m	3 ft 1 in
b1 - Overall width	2.06 m	6 ft 90 in
h17 - Overall height	2.14 m	7 ft
a4 - Crowd angle	13 °	13 °
a5 - Dump angle	133 °	133 °
Wa1 - External turning radius (over tyres)	3.65 m	11 ft 11 in
Standard tyres	400/70 R20 149A8 A580 - Alliance	400/70 R20 149A8 A580 - Alliance
Engine		
Brand	Deutz	Deutz
Environmental norm	Stage IV / Tier 4 Final	Stage IV / Tier 4 Final
Model	TCD 3.6 l	TCD 3.6 l
Number of cylinders - Cubic capacity	4 - 3621 cm ³	4 - 221 in ³
Power	116 hp / 85 kW	116 hp / 85 kW
Reversible fan	Standard	Standard
Cooling system	3 radiators (water + intercooler + hydraulic oil)	3 radiators (water + intercooler + hydraulic oil)
Transmission		
Type	M-Varioshift	M-Varioshift
Number of gears (forward/reverse)	2/2	2/2
Differential lock	Limited slip differential on front axle	Limited slip differential on front axle
Parking brake	Manual parking brake	Manual parking brake
Service brake	Hydraulic oil immersed multi-disc braking on front axle	Hydraulic oil immersed multi-disc braking on front axle
Hydraulics		
Hydraulic pump type	Gear pump	Gear pump
Hydraulic flow - Pressure	104 l/min - 250 bar	27 gpm - 3626 psi
Tank capacities		
Hydraulic oil	94 l	25 US gal.
Fuel	78 l	21 US gal.
Diesel Exhaust Fluid (AdBlue® type)	13 l	3 US gal.
Noise & vibration		
Noise at driving position (LpA) tested following NF EN 12053 norm	74 dB(A)	74 dB(A)
Environmental noise LwA	105 dB(A)	105 dB(A)
Vibration to whole hand / arm	<2.5 m/s ²	<8.2 ft/s ²
Miscellaneous		
Safety	Tractor homologation EN 15000 Norm Cab ROPS - FOPS Level 2	Tractor homologation EN 15000 Norm Cab ROPS - FOPS Level 2

Tyre options

Optional tires	Overall machine height	Overall machine width
Michelin - 400/70 R20 149A8 XMCL	2.14 m	2.06 m
Michelin - 400/70 R20 149A8 Bibload	2.14 m	2.06 m
Alliance - 500/45-20 159A8 A331	2.10 m	2.20 m

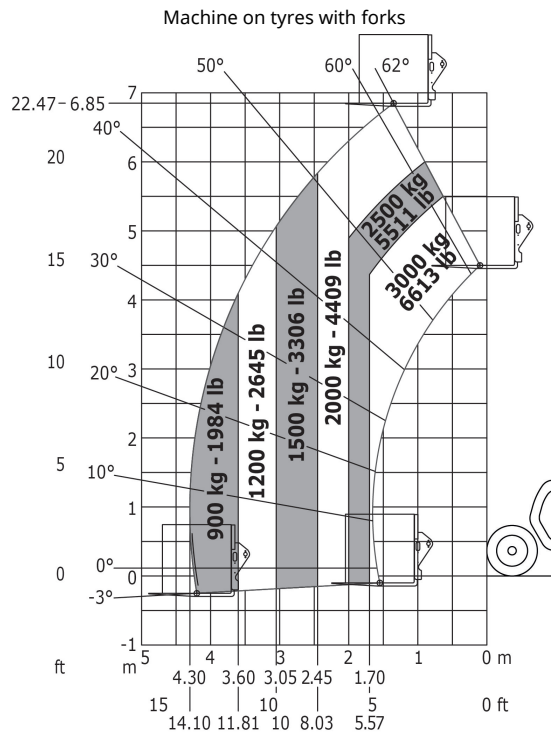
Options / Finishing

S : Standard / O : Optional / - : Not available

	Classic	Premium	Elite
General			
Self cleaning air prefilter	S	S	S
Auto reversing fan	S	S	S
Boom suspension "Active CRC"	O	O	S
Hand throttle	O	O	S
Automatic wheel alignment	O	O	S
Additional fuel tank (42 l)	O	S	S
Manual rotating towing hitch on counterweight	S	S	S
Automatic rotating towing hitch on counterweight	O	O	O
Ladder hitch with choice of hooks	O	O	O
Hydraulic pick-up hitch - low position	O	O	O
Flat grid (- 2 cm overall height)	O	O	O
Comfort			
Mechanical cloth seat (GRAMMER)	S	-	-
Air suspension cloth seat (GRAMMER)	O	S	-
Low frequency air suspension cloth seat (GRAMMER)	O	O	S
Low frequency air suspension cloth seat with heating (GRAMMER)	O	O	O
Tuner car radio (50 W)	S	-	-
Bluetooth car radio with integrated microphone (100 W)	O	S	-
Bluetooth car radio with extra microphone (100 W)	O	O	S
Manual air conditioning	O	S	-
Air conditioning with automatic adjustment	O	O	S
"Harmony" display	S	S	-
"Vision" display	O	O	S
Hydraulic			
Easy Connect System (ECS)	S	S	S
Continuous flow hydraulics	O	O	S
Attachment hydraulic locking	O	O	O
1 pair of pre-fitted Double Action rear hydraulic couplers	O	O	O
Electrovalve for 2 hydraulic functions (on boom head)	O	O	O
Hydraulic trailer brake	S	S	S
Electricity / Safety			
Audio warning on reverse movements	O	O	O
Front and rear work lights (x4: 2 front + 2 rear)	S	-	-
Front and rear LED work lights (x4 : 2 front + 2 rear)	O	S	S
Extra front wiper	O	S	S
Electric mirror with de-icing	O	O	S
Flat LED rotating beacon (-71 mm)	O	O	O
LED + (4 extra work lights)	O	O	O
LED work lights on boom head	O	O	O

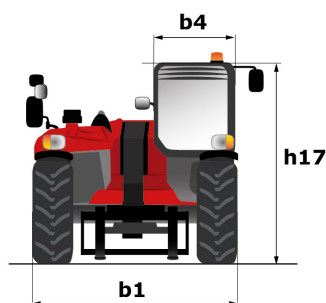
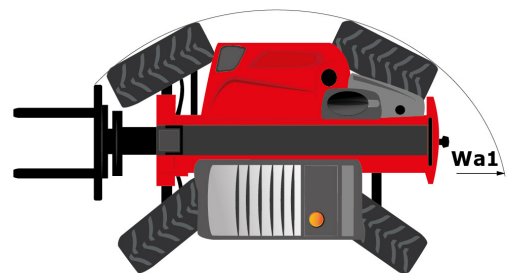
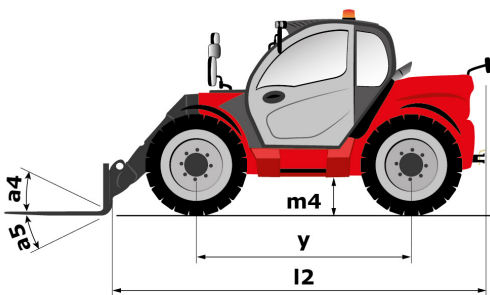
Load chart

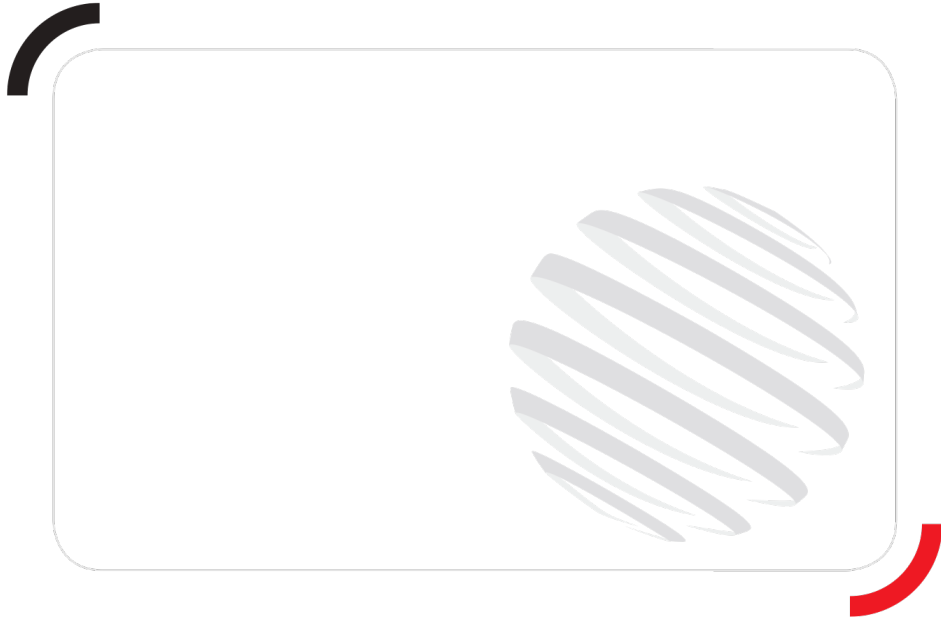
Created on February 14, 2018 3:00 PM



Rough terrain load chart (EN 1459 B)

Dimensional drawing





Siège Social
430 rue de l'Aubinière - 44150 Ancenis Cedex - France
Tel: +33(0)2 40 09 10 11 - Fax: +33 (0)2 40 09 10 97
www.manitou.com



This brochure describes versions and configuration options for Manitou products which may be fitted with different equipment. The equipment described in this brochure may be standard, optional or not available depending on version. Manitou reserves the right to change the specifications shown and described at any time and without prior warning. The manufacturer is not liable for the specifications given. For more information, contact your Manitou dealer. Non-contractual document. Product descriptions may differ from actual products. List of specifications is not comprehensive. The logos and visual identity of the company are the property of Manitou and may not be used without authorisation. All rights reserved. The photos and diagrams contained in this brochure are provided for information only.

MANITOU BF SA - Limited company with board of directors - Share capital: 39,547,824 euros - 857 802 508 RCS Nantes