

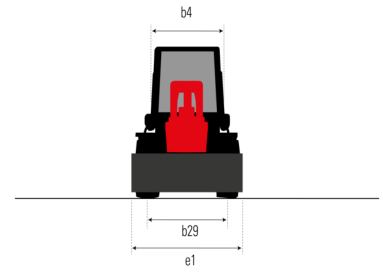
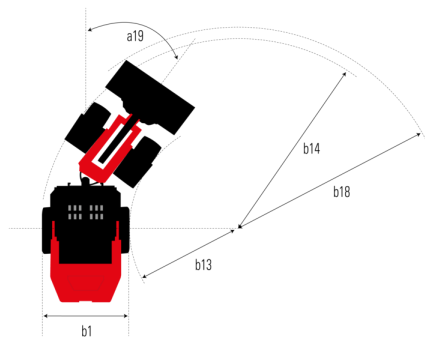
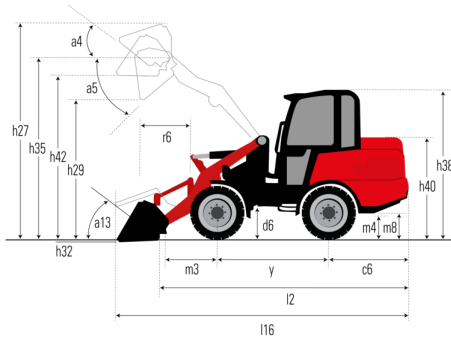
Technical sheet :

MLA 3-25 H



| Capacities | | Metric |
|--|-----|---------------------|
| Static tipping load with bucket (straight) | | 1270 kg |
| Static tipping load with bucket (full tum) | | 1115 kg |
| Static tipping load with forks (straight) | | 965 kg |
| Static tipping load with forks (full tum) | | 845 kg |
| Max. height of bucket pivot point | h35 | 2836 mm |
| Weight and dimensions | | |
| Unladen weight (with forks) with 4-post canopy | | 2170 kg |
| Wheelbase | y | 1650 mm |
| Overall cab width | b4 | 991 mm |
| Overall height with 4 posts canopy | h38 | 2258 mm |
| Dump reach - Full height | r6 | 485 mm |
| Hood Height | h40 | 1405 mm |
| Overall Operating Height - Fully Raised | h27 | 3636 mm |
| Articulation angle | a19 | 45 ° |
| Maximum oscillation angle | | 10 ° |
| Overall length with bucket | l16 | 4154 mm |
| Overall width less bucket | b1 | 1100 mm |
| Overall length - Less Bucket | l2 | 3458 mm |
| Rear overhang | c6 | 995 mm |
| Dump angle - Fully raised | a5 | 46 ° |
| Dump Height - Fully Raised | h29 | 2066 mm |
| Maximum Rollback Angle - Fully Raised | a4 | 47 ° |
| Maximum Rollback Angle at Ground | a13 | 50 ° |
| Digging Position | h32 | -139 mm |
| Ground clearance | m4 | 320 mm |
| Clearance Radius - Front with Bucket | b18 | 3246 mm |
| Clearance Radius - Less bucket | b14 | 2767 mm |
| Ground Plane to Bucket Edge Height | h42 | 2595 mm |
| Tread width (wheel center) | b29 | 836 mm |
| Attachment Pivot Clearance | d6 | 103 mm |
| Height from ground to axle center | m8 | 214 mm |
| Bucket Width | e1 | 1520 mm |
| Front Wheel Center to Pivot Pin | m3 | 669 mm |
| Engine | | |
| Engine brand | | Perkins |
| Engine model | | 403J-17 |
| Number of cylinders | | 3 |
| I.C. Engine power rating / Power (kW) | | 24.70 Hp / 18.40 kW |
| Max. torque / Engine rotation | | 85 Nm / 1800 rpm |
| Engine cooling system | | Water |
| Transmission | | |
| Transmission type | | Hydrostatic |
| Number of gears (forward / reverse) | | 2 / 2 |
| Max. travel speed (may vary according to applicable regulations) | | 20 km/h |
| Service brake | | Inching Brake |
| Hydraulics | | |
| Hydraulic pump type | | Gear pump |
| Hydraulic flow - Pressure | | 30 l/min / 207 Bar |
| High-Flow Option (l/min) | | 30 l/min |
| Tank capacities | | |
| Hydraulic oil | | 24 l |
| Fuel tank | | 45 l |

MLA 3-25 H - Dimensional drawing





Siège Social

430 rue de l'Aubinière - 44150 Ancenis Cedex - France

Tel: +33(0)2 40 09 10 11 - Fax: +33 (0)2 40 09 10 97

www.manitou.com



This brochure describes versions and configuration options for Manitou products which may be fitted with different equipment. The equipment described in this brochure may be standard, optional or not available depending on version. Manitou reserves the right to change the specifications shown and described at any time and without prior warning. The manufacturer is not liable for the specifications given. For more information, contact your Manitou dealer. Non-contractual document. Product descriptions may differ from actual products. List of specifications is not comprehensive. The logos and visual identity of the company are the property of Manitou and may not be used without authorisation. All rights reserved. The photos and diagrams contained in this brochure are provided for information only.

MANITOU BF SA - Limited company with board of directors - Share capital: 39,668,399 euros - 857 802 508 RCS Nantes